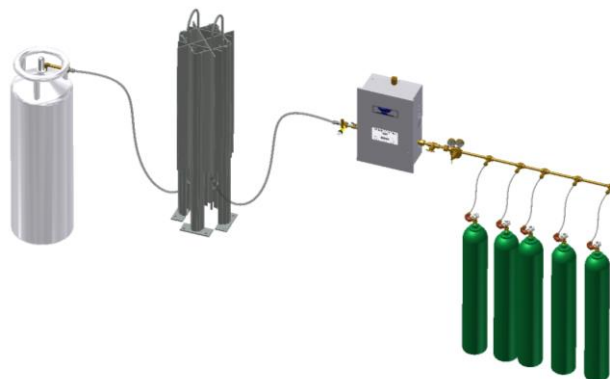


Submittal Data Sheet

Specification

The NFPA 99 compliant digital, fully automatic manifold shall be a Tri-Tech Medical *Genesys™* PLX35series. No manual resetting of valves or levers shall be required. The unit shall provide gas from the left (vapor withdrawal from portable bulk or bulk vessel) until the pressure from the left inlet bank is depleted. The unit shall switch from primary (left) to secondary (right) bank without fluctuation in line delivery pressure. Simultaneously, the “Secondary in Use” alarm shall be triggered by the manifolds microprocessor. After the switchover, the secondary (right) bank shall then become the “Bank in Use”. When the left bank is replenished the manifold shall automatically resume providing gas from the left bank and designate the left bank as the primary and the right bank as the secondary bank. In the event of a power failure or should both the primary and secondary banks become depleted the manifold shall continue to provide gas until both the primary and secondary banks are depleted at which time the manifold will automatically provide gas from the emergency reserve bank until all three banks are depleted. The manifold microprocessor shall trigger the “Secondary in Use”, “Right Bank (secondary) “Low, High Line Pressure” and “Low Line Pressure” alarms without the need for additional pressure switches or transducers. The manifold microprocessor shall also trigger the “Emergency Reserve in Use” and “Emergency Reserve Low” alarms when used with transducers supplied separately. The manifold shall be capable of being upgraded after installation, to high flow line regulators, higher delivery pressures, or to be used with high pressure (up to 2,500 psi) cylinders or for use at higher delivery pressures.

The microprocessor based control panel shall incorporate LED’s and an illuminated text display and shall provide electronic monitoring of circuits with up to 20 error, alarm or information messages displayed for ease of maintenance. The control panel shall also incorporate a set of LED’s for each bank, green for “Bank in Use”, amber for “Ready” and red for “Empty”.



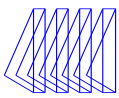
Analog gauges are also provided so that all above pressure zones may be observed in the event of a power failure. All manifold regulators, piping and control switching equipment shall be cleaned for use with oxygen service and installed in weatherproof painted aluminum cabinet to provide protection and minimize tampering. Secondary and emergency reserve manifolds sold separately (see RWP manifold literature).

Features - Benefits

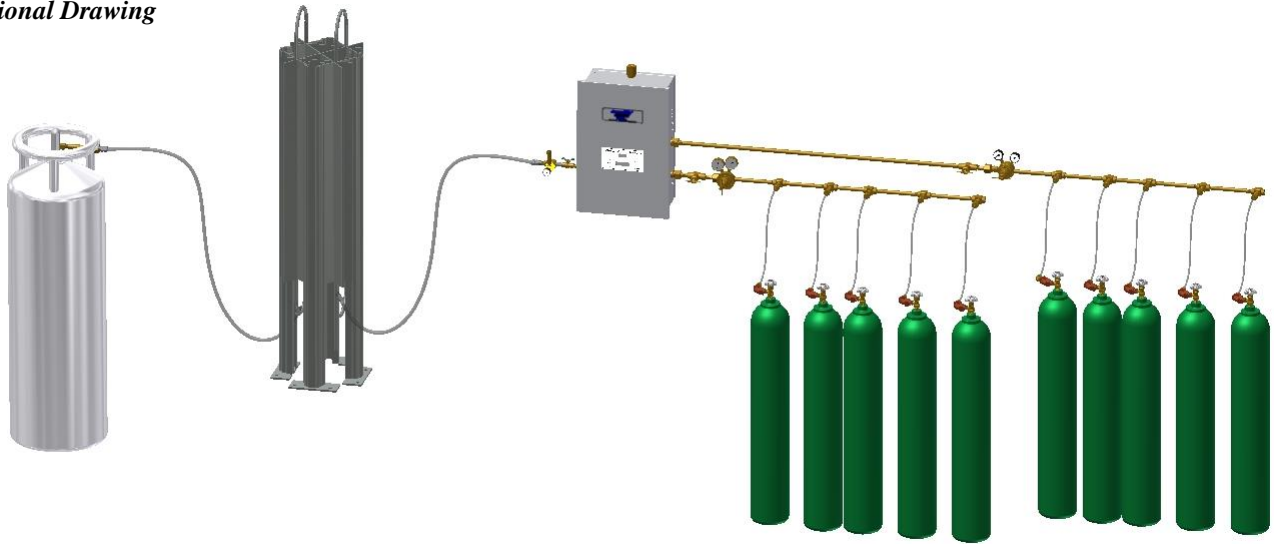
- **Five year parts and one year labor limited warranty***
- Fully automatic – no resetting of valves or levers
- Input power 120 to 240 VAC, 50 to 60 Hz - single point connection
- 400 psi differential rated solenoid – can’t lock up
- Economizer circuits for maximum efficiency of gas use
- Unit of measure switching (psi, kPa, BAR).
- Includes 3/4" source or main line ball valve with copper tube extension, Ref. Tri-Tech part no. 48-0023.
- Dual line pressure regulators
- Built for expansion by adding header extensions.
- Cabinet weight 89 lbs.
- May be converted from low or medium pressure liquid portable bulk vessel use to use with high pressure cylinders.
- Line pressure sensor may be mounted inside the cabinet or remotely located to eliminate the need for a high/low pressure switch for master alarm operation.

* See Terms and Conditions, Document No. 99-0477, on our Website at: www.tri-techmedical.com for complete details.

Genesys is a registered trademark of Tri-Tech Medical. Patented



Dimensional Drawing



Typical installation shown above primary (left bank), secondary (right bank) and emergency reserve bank

How to Order

Design Lengths

Manifold Cabinet Only

Cabinet only is 17.2" W x 26.6" H x 10.5" D

Left Bank Header Cryo Kits

<i>Part Number</i>	<i>Description</i>
30-1011	1 Vessel Header
30-1012	2 Vessel Header
30-1013	3 Vessel Header
30-1014	4 Vessel Header

Right Bank Headers

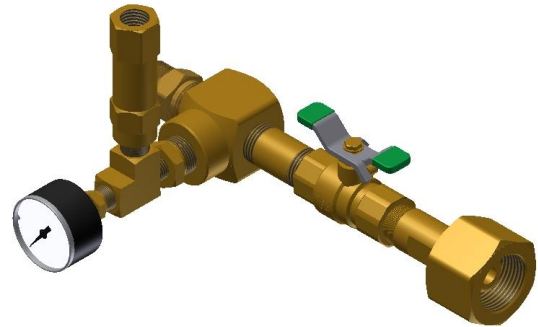
See RWP Headers Data Sheet 99-0325 ref. Specify Cabinet Position 2

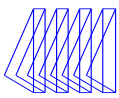
Emergency Reserve Header

See RWP Headers Data Sheet 99-0325 ref. Specify Cabinet Position 3

Typical Header

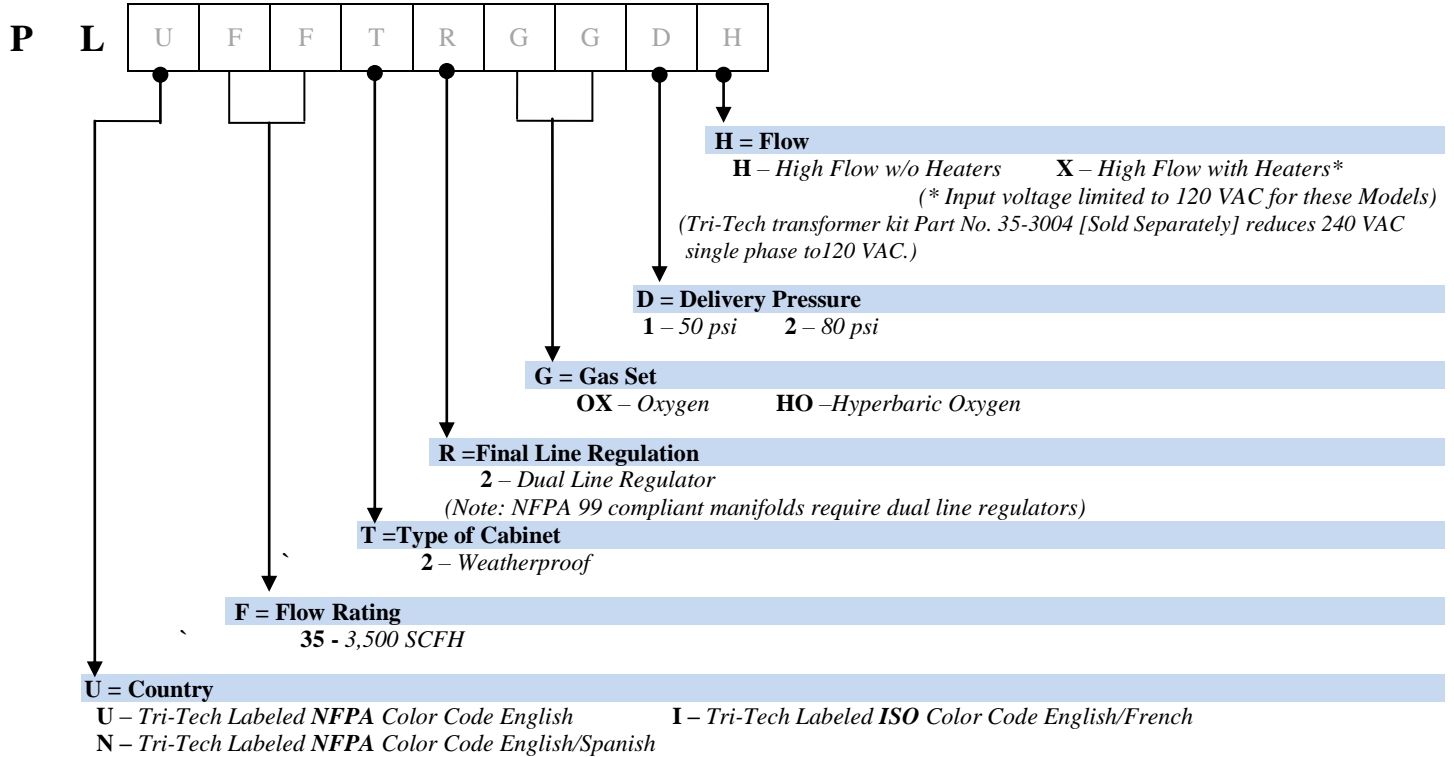
881135-1	Left Bank Inlet Header
----------	------------------------





* See RWP 99-0325 Manifold Header Literature for Header Part Numbers

How to Order: Easy to use modular ordering system. Fill in the 9 blanks to specify the manifold that meets **your** needs.



Example:

PLU3522OX1H = Genesys™ Preferential Logic Manifold U.S.A. version, Weatherproof Cabinet, Dual Line Regulators, 3,500 SCFH Oxygen service, 50 psi delivery, High flow