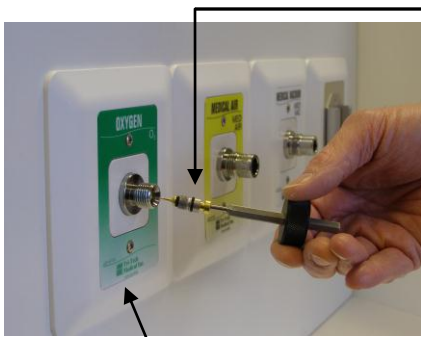


Tri-Tech Medical Outlet

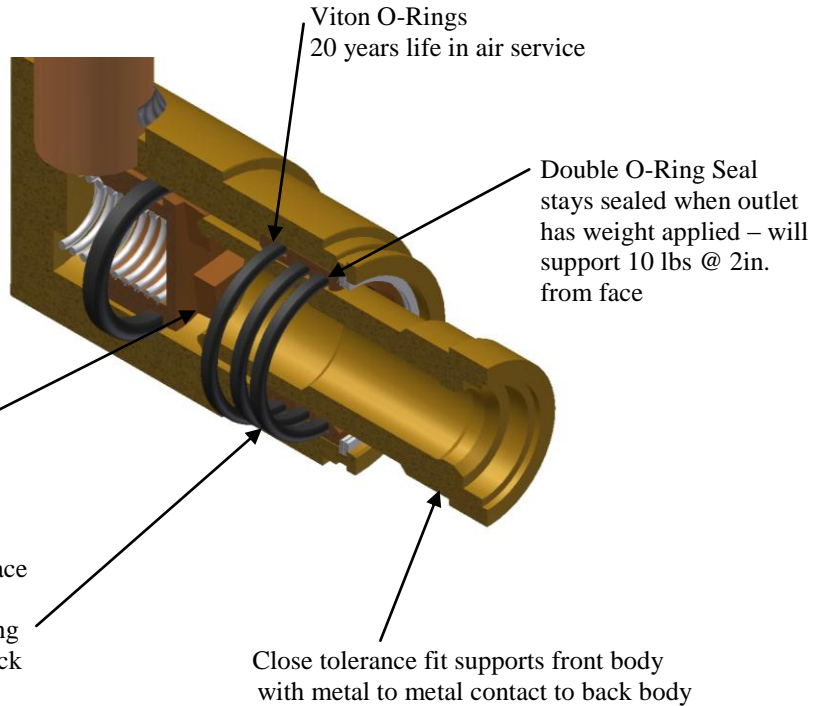


DISS Frontall Design – service outlet w/o removing nameplate (DISS only)

Durable, protective scratch resistant Vinyl label may be customized (i.e. – private labeling, color codes to meet various standards)

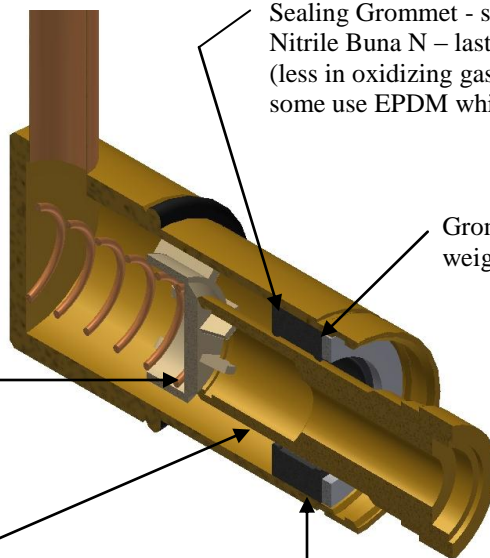
Brass Poppet machined surfaces
Positive O-ring seal w/ mating surface

O-Rings can be serviced w/o shutting off- gas or removing secondary check



Close tolerance fit supports front body with metal to metal contact to back body

Typical Competitors Outlet



Sealing Grommet - some competitors use a Nitrile Buna N – lasts 3-5 years in air service (less in oxidizing gas services; Oxygen & N₂O) some use EPDM which lasts somewhat longer

Grommet deforms and leaks when weight is applied to outlet

Plastic Poppet
Plastic surface seals against rubber grommet

Front body is NOT supported with metal to metal contact deforming grommet and causing LEAKS

To service grommet – gas must be shut off and all parts removed