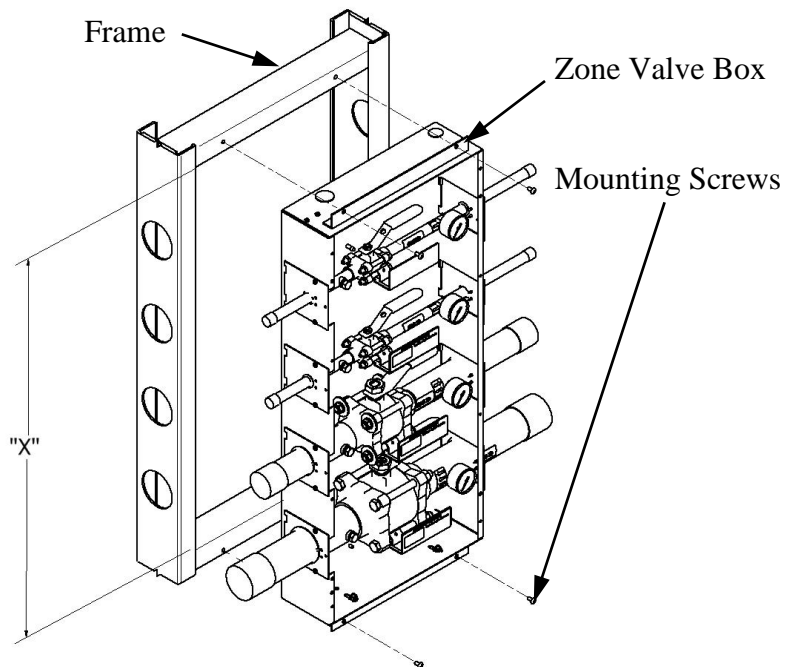
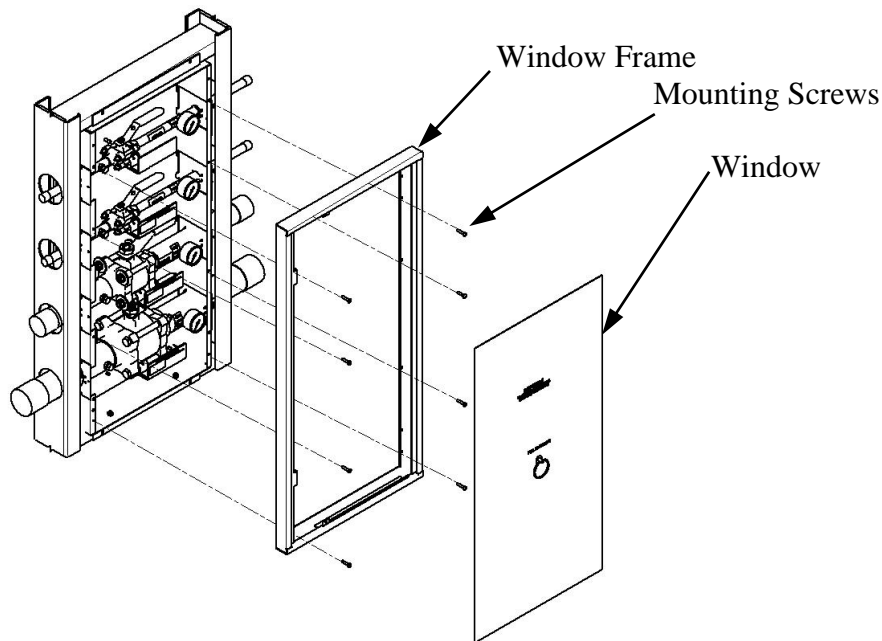
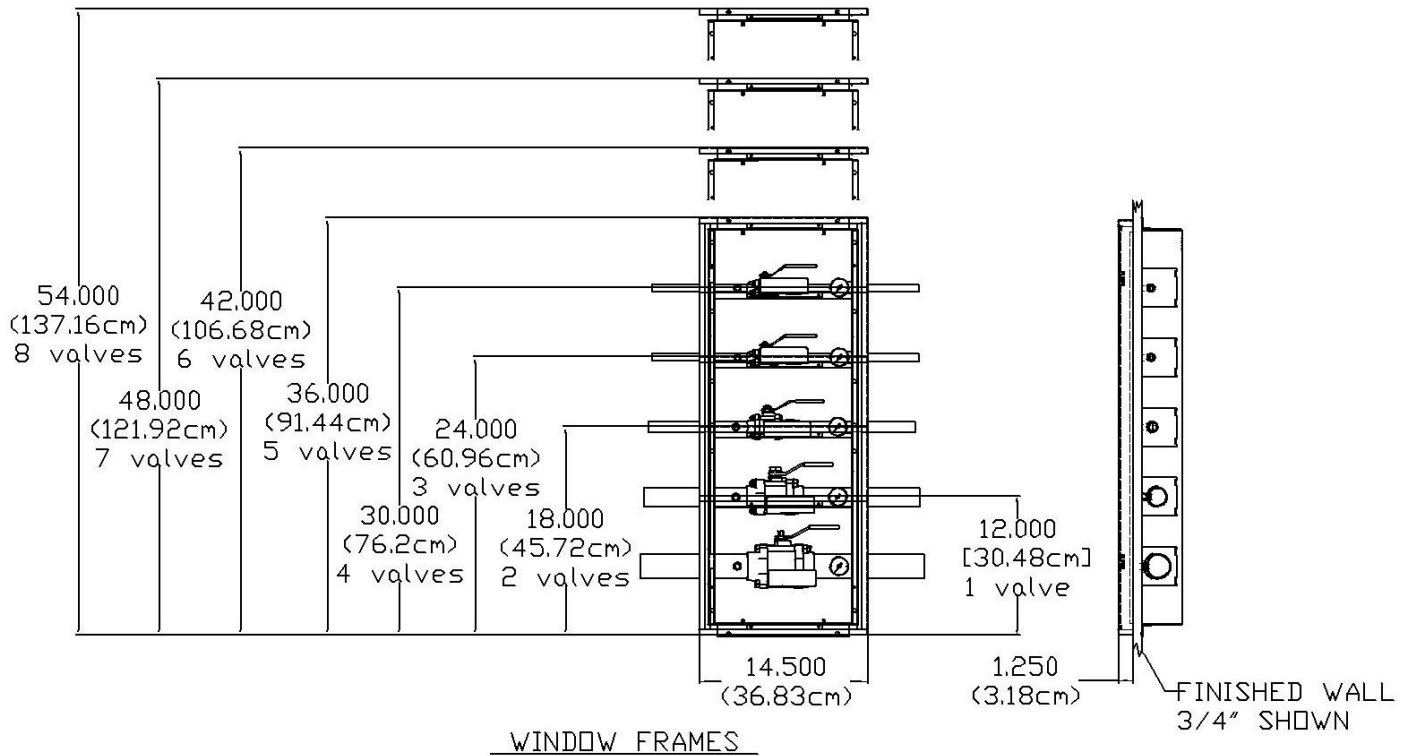
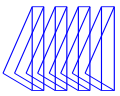


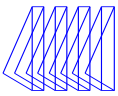
Valve Size	Copper Tube Extension Left & Right Sides
1/2", 3/4" 1", 1-1/4"	5.000 Approx (12.7cm)
1-1/2"	5.375 Approx (13.65cm)
2"	5.750 Approx (14.61cm)



Rough Opening Height Dimension for "X"

	IN	CM
1 valve	10.125	25.72
2 valves	16.125	40.96
3 valves	22.125	56.20
4 valves	28.125	71.44
5 valves	34.125	86.68
6 valves	40.125	101.92
7 valves	46.125	117.16
8 valves	52.125	132.40





How to Order: Easy to use modular ordering system.

Fill in the blanks to specify the Zone Valve Box that meets **your** needs.

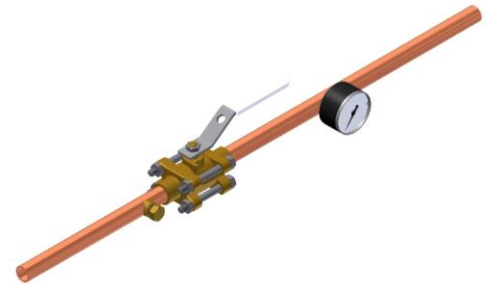
Model Numbering:

V	U	3	2	O	2	A	4	V							
---	---	---	---	---	---	---	---	---	--	--	--	--	--	--	--

Repeat 2 character set for each valve

G = Gas Service

- A – Medical Air
- C – Carbon Dioxide – 50 psig
- D – Carbon Dioxide – 80 psig
- H – Hyperbaric Oxygen
- I – Instrument Air
- J – Carbon Dioxide-Oxygen Mixt DISS 1080 (CO₂>7%)
- K – Helium-Oxygen Mixt DISS 1060 (He>80%)
- L – Helium
- N – Nitrous Oxide
- O – Oxygen
- R – Tri-Gas
- S – AGSS
- T – Nitrogen
- V – Medical Vacuum
- W – WAGD/EVAC
- X – No Gas



1/2" Ball Valve w/ Gauge on the right side

S = Size of Valve

- | | | | |
|------------------|----------------|--------------|------------------|
| 2 – 1/2" valve | 3 – 3/4" valve | 4 – 1" valve | 5 – 1 1/4" valve |
| 6 – 1 1/2" valve | 7 – 2" valve | X – No valve | |

N = Number of Valves

1 Through 8 valves

C = Country

- | | |
|--|---|
| U – Tri-Tech Labeled NFPA Color Code English | I – Tri-Tech Labeled ISO Color Code English/French |
| S – Tri-Tech Labeled ISO Color Code English/Spanish | N – Tri-Tech Labeled NFPA Color Code Spanish |

V = Type of Valve Box

V – Zone Valve Box

Part No. Examples

VU32A3O5V = 3 gas zone valve box and gauges on right side only of all 3 valves with 1/2" AIR, 3/4" OXY, 1 1/4" VAC valves with U.S. Labels

VU22N3O = 2 gas zone valve box and gauges on right side of both valves with 1/2" N₂O, 3/4" OXY valves with U.S. Labels